



Alfa Laval TZ-82F

Tank and hold cleaning machine

The TZ-82F fixed rotary jet head provides 360° indexed impact cleaning over a defined time period. It is automatic and represents a guaranteed means of achieving quality from cleaning tanks.

Application

Storage and transportation tanks up to 3,000 m³ (792,000 US gallons). Used on tankers and in petro-chemicals and chemical processing industries. The TZ-82 fixed equipment is widely used in chemical and product tankers.

Operation

The flow of the cleaning fluid makes the nozzles perform a geared rotation around the vertical and horizontal axis. In the first cycle, the nozzles lay out a coarse pattern on the tank surface. The following cycles make the pattern gradually more dense until a full pattern is reached after 4 cycles.

Options

- Inlet flange.
- The choice of nozzle diameters can optimize jet impact length and flow rate at the desired pressure.
- Extension pipes.
- Longer jet lengths using special cleaner head and nozzles.

Regulations

The equipment fully complies with IMO regulations and the requirements of the classifications societies.

Ordering information

Please specify nozzle size, inlet/guide configuration, connections and confirm application suitability

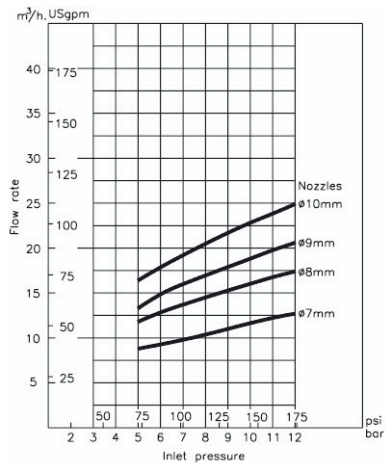


Specifications

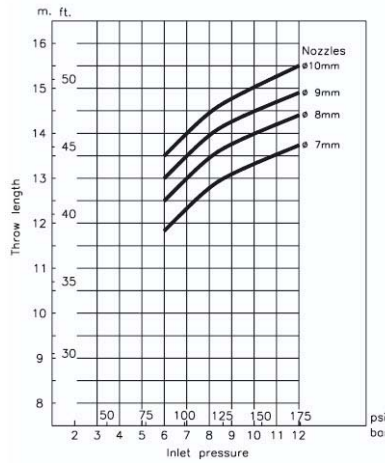
Materials, main parts	Stainless steel AISI 316L
Weight	
Fixed with flange	7.5 kg (16.7 lbs)
Fixed without flange	6.1 kg (13.6 lbs)
Lubricant	Self-lubricating with the cleaning fluid
Working pressure	5–12 bar (72–174 psi)
Recommended pressure	5–10 bar (72–145 psi)
Capacity	8–23 m ³ /hour
Max. working temperature	95°C (203°F)
Installation	
Fixed	Flange Ø 127-PC 98.5 – 4 x Ø 11 mm (0.43") holes

Performance data:

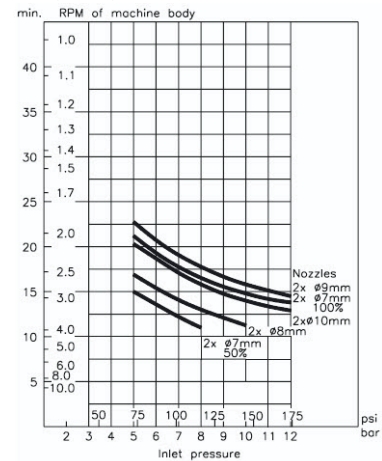
Flow rate



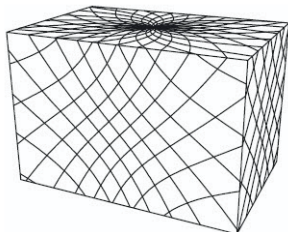
Recommended design throw length at static condition



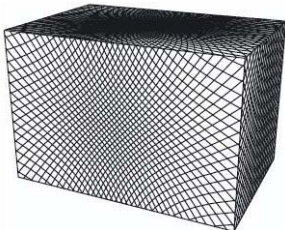
Cleaning time, complete pattern



Cleaning pattern

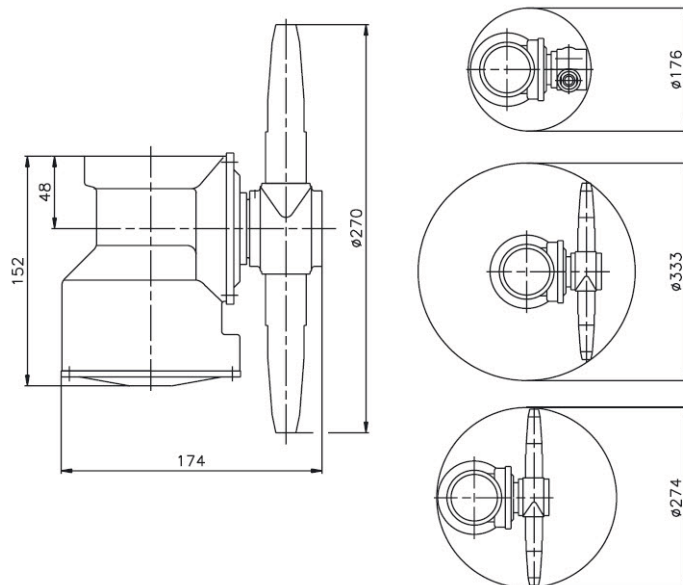


First cycle



Full pattern

Dimensions (mm)



Alfa Laval reserves the right to change specifications without prior notification.

How to contact Alfa Laval

Contact details for all countries are continually updated on our website. Please visit www.alfalaval.com to access the information direct.